

## Features

- Universal input 100-240VAC
- Direct UK Fixed Plugtop Adapters
- Approved to UKCA, CE, REACH
- Safety standards to UL/IEC 62368-1
- Meets Efficiency Level VI
- EMC FCC Class B Certified
- Single Output 12 - 24V DC
- OVP, OCP, OTP & Short Circuit



Ideal Power's 15DYS850-xyW-3-RS 50W AC/DC External Adapter US Plugtop Power Supply (PSU) Series are certified to UKCA, CE, REACH & EN 62368-1/IEC 62368-1/UL 62368-1 Standards and comply with (EU) 2019/1782, Level VI Efficiency Regulations. These are primarily used in ITE, Audio & Video Industries and customised solutions are available upon request.

### Models

Model Number	Output Voltage V DC	Output Current Amps	Output Power W	Efficiency %
15DYS850-120420W-3-RS	12	4.2	50.4	88
15DYS850-150336W-3-RS	15	3.36	50.4	88
15DYS850-240210W-3-RS	24	2.10	50.4	88

### Input Data

	Min	Typical	Max	Units	Notes
Input Voltage	90	--	264	V AC	100-240VAC +/- 10%
Input Frequency	47	--	63	Hz	50-60Hz +/- 5%
Input Current	--	--	1.3	A	
Inrush Current	0	--	80	A	At cold start, 100 / 240V AC
Leakage Current	--	--	0.25	mA	

### Output Data

	Min	Typical	Max	Units	Notes
Output Voltage	--	5	--	%	
Ripple & Noise	--	150	--	%	
Turn - on Delay Time	--	--	3	S	@ 100 Vac to 240 Vac input & Full load
Hold-up Time	5	--	--	mS	@ Full load & 100Vac/60Hz input turn off at worst case
Over Current Protection	Over Current Point Limited >2.16A				
Short Circuit Protection	Continuous short circuit proof. Will recover if fault condition is removed				
Over Voltage Protection	Will recover if fault condition is removed				

**Environmental Data**

	Min	Typical	Max	Units	Notes
Operating Temperature	0		+40	°C	
Storage Temperature	-20		+80	°C	
Operating Humidity	10		90	°C	Operating 10% to 90%
Storage Humidity	5		95	°C	Storage 5% to 95%

**Other Information**

	Min	Typical	Max	Units	Notes
MTBF		50,000		hrs	At 25°C, Full load, and nominal
Burn in		At least 4 Hours under normal input and 80% rated load at 40°C ± 5°C			
Dimensions				84x52.2x55.2mm	

**EMC Emissions (2014/30/EU)**

	Standard	Test Level	Criteria	Notes
Conducted	EN 55032	Pass	B	EMC Directive 2014/30/EU
Radiated	EN 55032	Pass	B	
Harmonic Standard	EN 61000-3-2		Class D	P.F. shall >0.95 @100Vac input and >0.9 @240Vac input

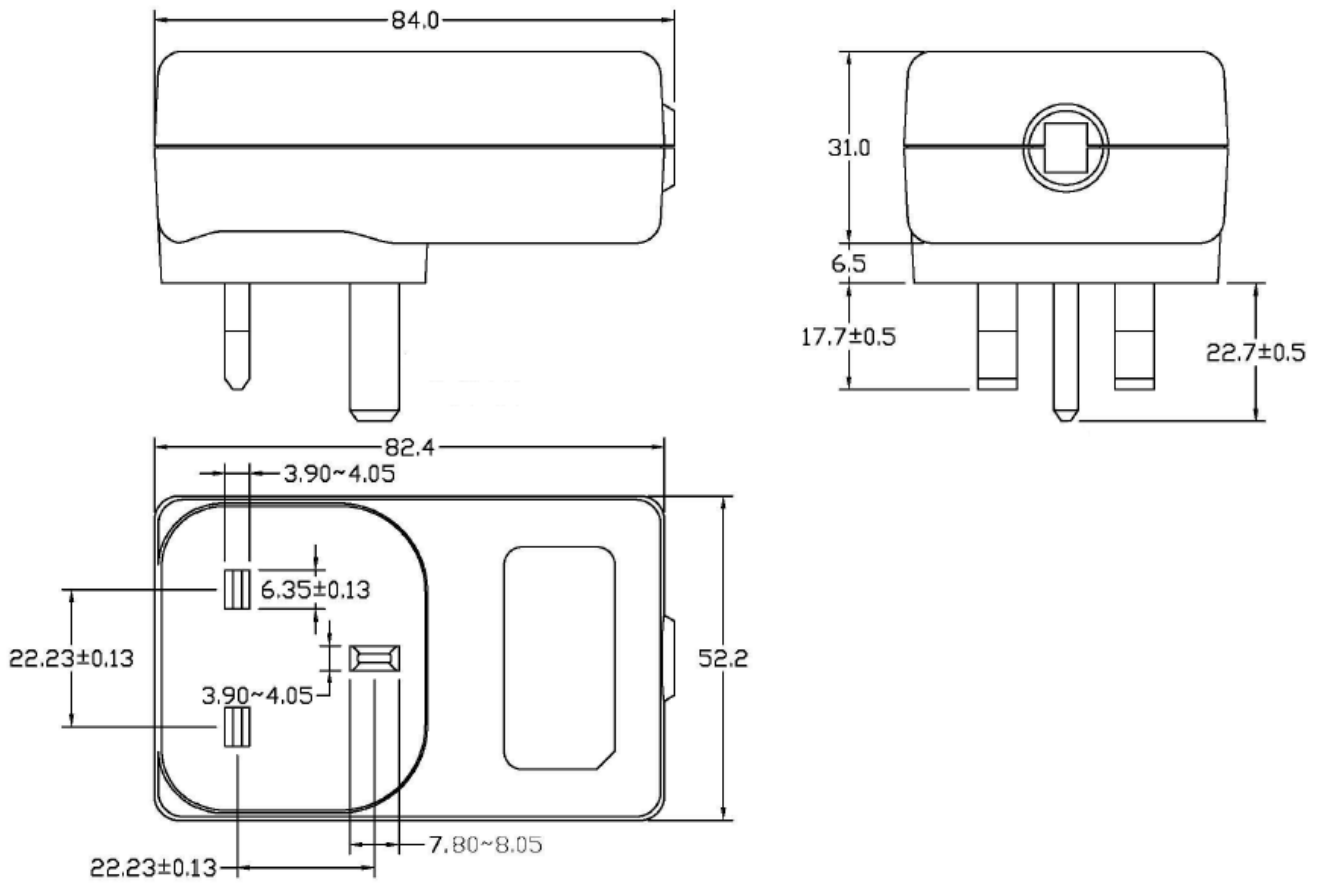
**EMC Immunity (2014/30/EU)**

	Standard	Test Level	Criteria	Notes
EMS	EN 55035			
EMS	EN 61204-3			
ESD	IEC 61000-4-2		B	Contact: +/- 4KV; Air: +/- 8KV
EFT	IEC 61000-4-4		A/B	0.5/1.0KV on input AC power ports
Surge	IEC 61000-4-5		A	Line to Line: +/- 2KV (peak); Line to F.G: +/- 2KV (peak)

**Safety Approvals**

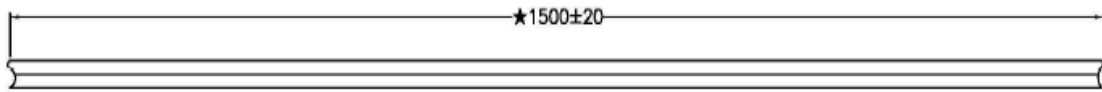
Safety Standards	
RoHS/REACH	RoHS Directive (EU) 2015/863 & REACH (205 SVHC)
CE LVD Directive 2014/35/EU	Yes (UK/European)

Mechanical Drawing

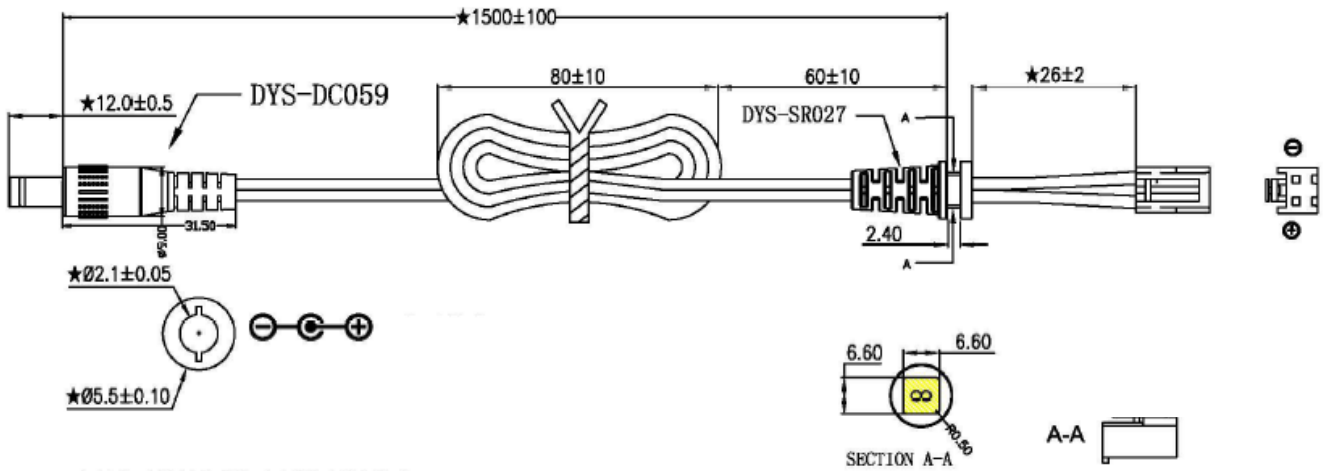


AC - DC

Mechanical Drawing



1, UL 2468 22AWG



1, DC PLUG:  $\varnothing 2.1 \times \varnothing 5.5 \times 12.0$

2, SR SIZE:  $6.6 \times 6.6 \times 2.4$